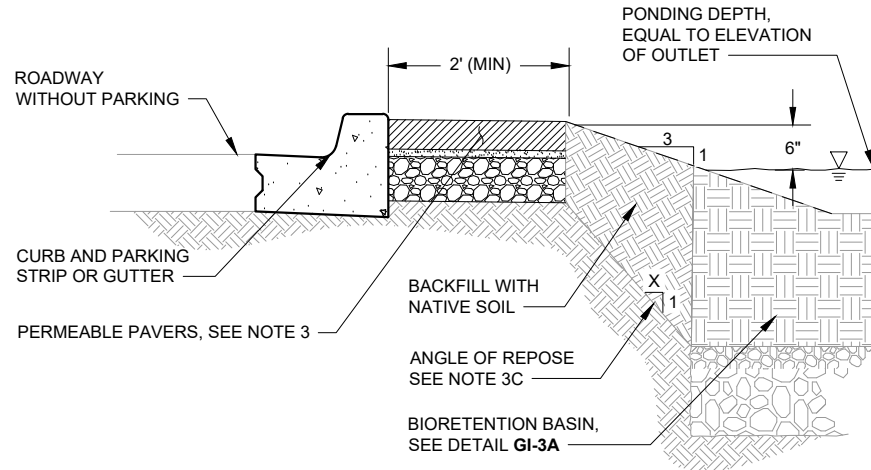


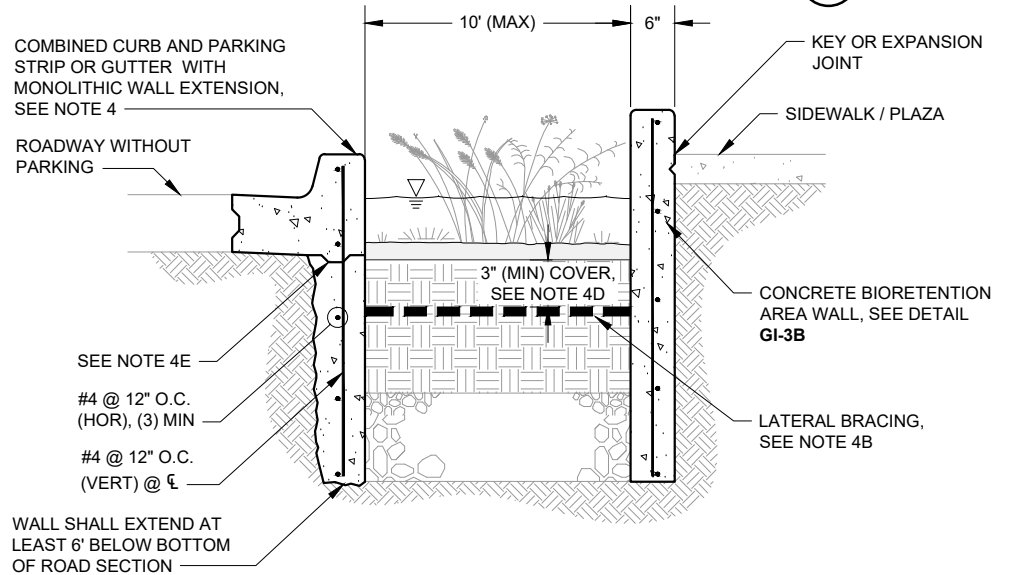
NOTES:

1. REFER TO GI-1 NOTES FOR GUIDELINES AND CHECKLIST.
2. THE ENGINEER SHALL ADAPT EDGE TREATMENT DESIGN TO ADDRESS SITE SPECIFIC CONSTRAINTS TO EFFECTIVELY STABILIZE ADJACENT PAVEMENT AND MINIMIZE LATERAL MOVEMENT OF WATER.
3. STANDARD CURB EDGE (WHEN SPACE AVAILABLE):
 - A. PERMEABLE PAVER STRIP (2' MIN WIDTH) REQUIRED IF SPRAY IRRIGATION IS USED TO COMPLY WITH WATER EFFICIENT LANDSCAPE ORDINANCE..
 - B. REFER TO CITY OF DUBLIN MEDIAN DETAIL (TBD) FOR PERMEABLE STRIP AND UNDERLYING AGGREGATE SPECIFICATIONS.
 - C. ANGLE OF REPOSE VARIES PER GEOTECHNICAL ENGINEERS RECOMMENDATIONS.
4. VERTICAL SIDE WALLS (WHEN SPACE LIMITED):
 - A. ALL BIORETENTION AREA WALLS SHALL EXTEND TO BOTTOM OF AGGREGATE STORAGE LAYER OR DEEPER. MINIMUM DEPTHS SHALL BE DESIGNED TO PREVENT LATERAL SEEPAGE INTO THE ADJACENT PAVEMENT SECTION.
 - B. FOOTING OR LATERAL BRACING SHALL BE DESIGNED BY THE ENGINEER TO WITHSTAND ANTICIPATED LOADING ASSUMING NO REACTIVE FORCES FROM THE UNCOMPACTED BIOTREATMENT SOIL.
 - C. BIORETENTION AREA WALLS EXTENDING MORE THAN 36" BELOW ADJACENT LOAD-BEARING SURFACE, OR WHEN LOCATED ADJACENT TO PAVERS, SHALL HAVE FOOTING OR LATERAL BRACING. FOOTING OR LATERAL BRACING MAY BE EXCLUDED ONLY IF THE ENGINEER DEMONSTRATES THAT THE PROPOSED WALL DESIGN MEETS LOADING REQUIREMENTS. WALL SHALL NOT ENCROACH INTO TREATMENT AREA.
 - D. CONTRACTOR TO PROVIDE 3" MINIMUM COVER OVER ALL LATERAL BRACING FOR PLANT ESTABLISHMENT.
 - E. ALL CONSTRUCTION COLD JOINTS SHALL INCORPORATE EPOXY, DOWEL/TIE BAR, KEYWAY, OR WATER STOP.



STANDARD CURB EDGE AT BIORETENTION BASIN

1



EXTENDED BIORETENTION AREA WALL WITH LATERAL BRACING

2



BIORETENTION COMPONENTS: EDGE TREATMENT DETAIL

**GREEN INFRASTRUCTURE
TYPICAL DETAILS**
CITY OF DUBLIN PUBLIC WORKS

SCALE: NOT TO SCALE
DATE: MAY 11, 2018
DRAWN BY: K. K.
CHECKED BY: A. R.

APPROVED:
PUBLIC WORKS DIRECTOR

GI-5